

Izradio (ili odgovoran) - Prepared (also subject responsible if other) KVL	Br - No. 1555 – BMPV 200524		
Odg.za dok/Odobrio - Doc respons/Approved VZD	Datum - Date 20.01.2020.	Rev R1	File

Desk fan unit

BMPV 200524



Izradio (ili odgovoran) - Prepared (also subject responsible if other)	Br - No.		
KVL	1555 – BMPV 200524		
Odg.za dok/Odobrio - Doc respons/Approved	Kontr - Checked	Datum - Date	Rev
VZD		20.01.2020.	R1

Description of desk fan unit BMPV 200524

1. General

Desk fan unit BMPV 200524 is used for forced air circulation during telecommunication or IT equipment testing on an appropriate test desk.

Some equipment is tested while working, in which case there is a heat dissipation issue of the tested equipment.

Because tested equipment is not installed in the system with forced air circulation, as it is during normal operation, there has to be forced air circulation to simulate the normal working system conditions.

Air flow velocity is regulated by turning potentiometer on the right side of ventilation unit.

Regulation is continuously adjustable 0%-100% of air flow.

2. Technical specification:

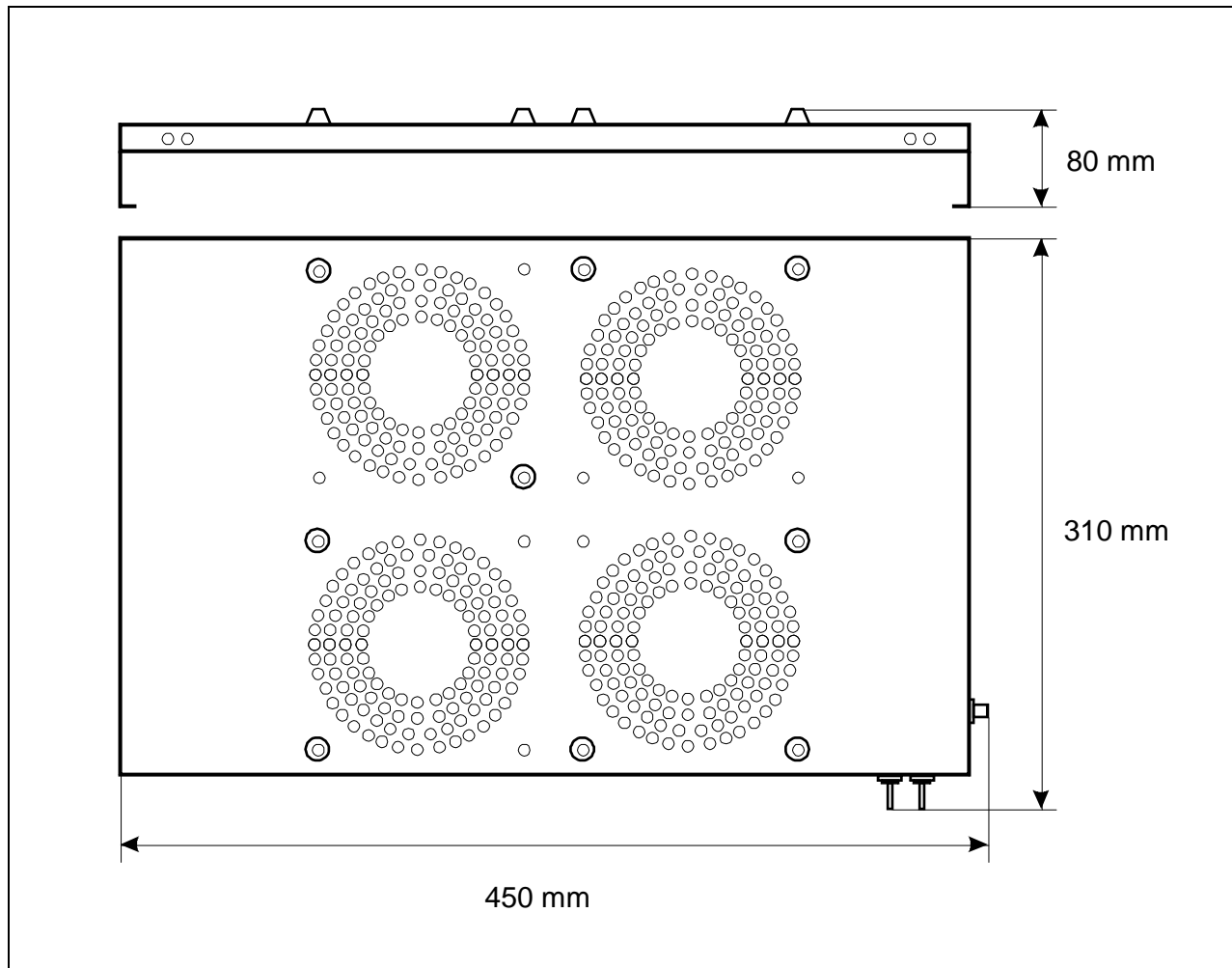
- Nominal voltage : 24 Vdc
- Maximum input current: 1 A
- Air flow (max) = 650 m³/h
- Air flow regulation: 0-100%;
by potentiometer on the right side of device.
- Maximum supply cable gauge: 2,5 mm²
- Dimensions : w x l x h = 450 mm x 310 mm x 80 mm

3. Mechanical design:

Unit housing dimensions: w x l x h = 450 mm x 310 mm x 80 mm

Unit housing is made of galvanized steel.

Izradio (ili odgovoran) - Prepared (also subject responsible if other)		Br - No.	
KVL		1555 – BMPV 200524	
Odg.za dok/Odobrio - Doc respons/Approved	Kontr - Checked	Datum - Date	Rev
VZD		20.01.2020.	R1
		File	



Fan unit dimensions

4. Protection measures

- Fan unit has a safety net for fans
- Fan unit is protected against changes of power supply polarity

5. Safety guidelines

- When handling the device, there is a risk of electric shock, so installation and connection can only be performed by qualified personnel.
- The device is not allowed to be mounted in areas with high humidity (over 95%).
- Don't install device in locations exposed to high temperatures ($\geq 45^{\circ}\text{C}$), direct sunlight, or open flames.